



American Pneumatic Tools

PAVING BREAKERS

ACCESSORIES, SERVICE AND REPAIR KITS



STANDARD MODELS

M117

6465 MUFFLER KIT
18295 LATCH KIT
18842 WHIP HOSE ASSEMBLY WITH OILER
18840 WHIP HOSE ASSEMBLY WITHOUT OILER
18774 O RING AND SEAL KIT
17193 UNIVERSAL COUPLER

M140

18099 MUFFLER KIT
18301 LATCH KIT
18299 SIDE ROD KIT
18331 WHIP HOSE ASSEMBLY WITH OILER
18775 O RING AND SEAL KIT
17194 UNIVERSAL COUPLER

M160

17752 MUFFLER KIT
18296 LATCH KIT
18298 SIDE ROD KIT
18331 WHIP HOSE ASSEMBLY WITH OILER
18777 O RING AND SEAL KIT
17194 UNIVERSAL COUPLER

M190

17753 MUFFLER KIT
18296 LATCH KIT
18581 SIDE ROD KIT
18331 WHIP HOSE ASSEMBLY WITH OILER
18779 O RING AND SEAL KIT
17195 UNIVERSAL COUPLER

ALL MODELS

18754 SAFETY CABLE, HOSE TO HOSE
18755 SAFETY CABLE, HOSE TO TOOL

AIRGO-LINE MODELS

M140A

18099 MUFFLER KIT
18301 LATCH KIT
18299 SIDE ROD KIT
18331 WHIP HOSE ASSEMBLY WITH OILER
18775 O RING AND SEAL KIT
17194 UNIVERSAL COUPLER

M160A

17752 MUFFLER KIT
18296 LATCH KIT
18298 SIDE ROD KIT
18331 WHIP HOSE ASSEMBLY WITH OILER
18778 O RING AND SEAL KIT
17194 UNIVERSAL COUPLER

M190A

17753 MUFFLER KIT
18296 LATCH KIT
18581 SIDE ROD KIT
18331 WHIP HOSE ASSEMBLY WITH OILER
18780 O RING AND SEAL KIT
17195 UNIVERSAL COUPLER

ALL MODELS

18754 SAFETY CABLE, HOSE TO HOSE
18755 SAFETY CABLE, HOSE TO TOOL

DISCONTINUED MODELS

M180

17753 MUFFLER KIT
18296 LATCH KIT
18298 SIDE ROD KIT
18331 WHIP HOSE ASSEMBLY WITH OILER
18779 O RING AND SEAL KIT
17195 UNIVERSAL COUPLER
18638 CONVERSION KIT TO M190 (1-1/8", NO LATCH PARTS)
18639 CONVERSION KIT TO M190 (1-1/4", NO LATCH PARTS)
18644 CONVERSION KIT TO M190 (1-1/8", COMPLETE)
18645 CONVERSION KIT TO M190 (1-1/4", COMPLETE)

For assistance in any sales, technical, maintenance or repair questions, please call APT @

Phone: (800) 532-7402 or (714) 285-2828 • Fax: (800) 715-6502 or (714) 285-2829

1000 S. Grand Ave, Santa Ana, CA 92705

Website: www.apptools.com • e-mail: info@apptools.com

TDS-1026 Rev B

© 2017 AMERICAN PNEUMATIC TOOLS a business unit within: Construction Equipment North America LLC.

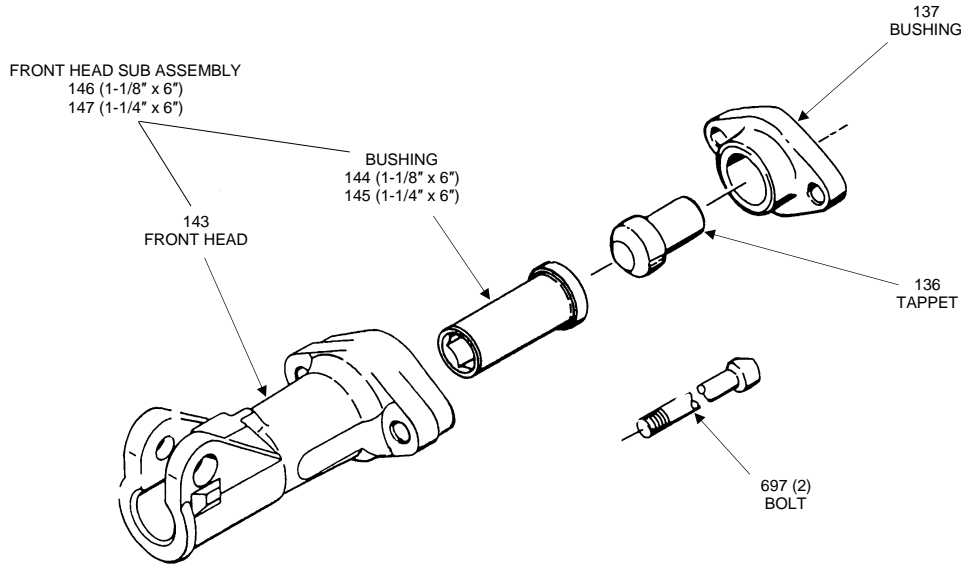


American Pneumatic Tools

M180 TO M190 FRONT HEAD SUB ASSEMBLY CONVERSION KITS

PART # 18638 (1-1/8" HEX x 6")

PART # 18639 (1-1/4" HEX x 6")

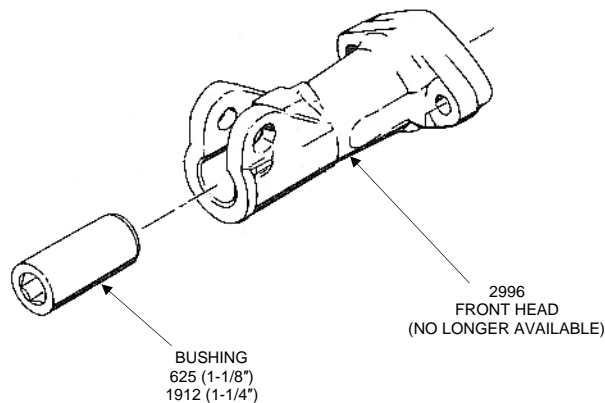


M180 PAVING BREAKER FRONT SUB HEAD ASSEMBLY – REFERENCE ONLY – DISCONTINUED

PART # 163 (1-1/8" HEX x 6")

PART # 164 (1-1/4" HEX x 6")

CONTACT APT FOR AVAILABILITY OF INDIVIDUAL PARTS



For assistance in any sales, technical, maintenance or repair questions, please call APT @

Phone: (800) 532-7402 or (714) 285-2828 • Fax: (800) 715-6502 or (714) 285-2829

1000 S. Grand Ave, Santa Ana, CA 92705

Website: www.apr-tools.com • e-mail: info@apr-tools.com

TDS-1077 Rev B

© 2017 AMERICAN PNEUMATIC TOOLS a business unit within: Construction Equipment North America LLC.

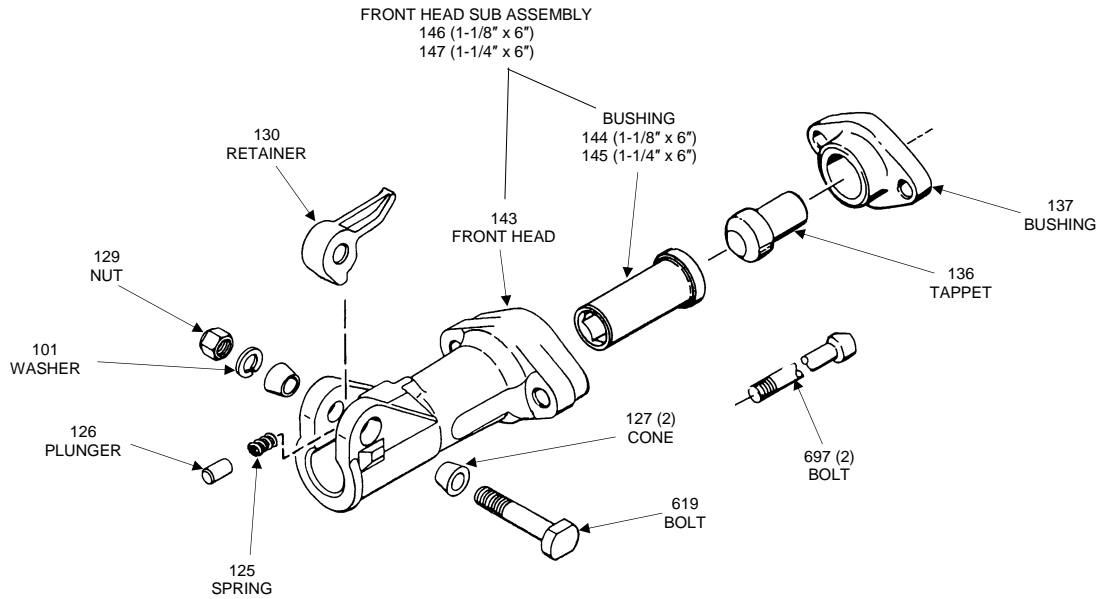


American Pneumatic Tools

M180 TO M190 FRONT HEAD ASSEMBLY CONVERSION KITS

PART # 18644 (1-1/8" HEX x 6")

PART # 18645 (1-1/4" HEX x 6")

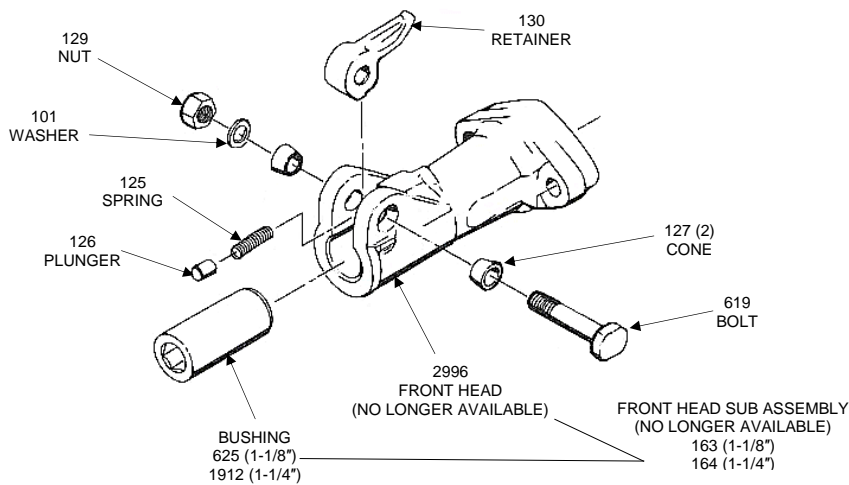


M180 PAVING BREAKER FRONT HEAD ASSEMBLY – REFERENCE ONLY – DISCONTINUED

PART # 165 (1-1/8" HEX x 6")

PART # 166 (1-1/4" HEX x 6")

CONTACT APT FOR AVAILABILITY OF INDIVIDUAL PARTS



For assistance in any sales, technical, maintenance or repair questions, please call APT @

Phone: (800) 532-7402 or (714) 285-2828 • Fax: (800) 715-6502 or (714) 285-2829

1000 S. Grand Ave, Santa Ana, CA 92705

Website: www.apr-tools.com • e-mail: info@apr-tools.com

TDS-1078 Rev B

© 2017 AMERICAN PNEUMATIC TOOLS a business unit within: Construction Equipment North America LLC.